

Reliable Water Supply for City Municipal Council (CMC), Raichur



Raichur is a city municipality in the district of Raichur in the Indian state of Karnataka located in the DoAab between Krishna and Tungabhadra rivers.

It is rich from the ancient inscriptions ranging right from the Mauryan period upto the end of the Muslim period; having been a part of various empires such as the Bahmanis Sultan's Vijayanagara, Adil Shahi dynasty of Bijapur and Nizam of Hyderabad & in 1489; it became the 1st Capital of the Independent Kingdom of Bijapur (Vijayapura).

It is now a **Commercial Centre** on the Central Railway; products include oilseeds, cotton and soap.

Several colleges in and around the city are affiliated with Gulbarga University in Kalaburagi (Gulbarga) to the northwest. A Thermal Power plant is located nearby.



Situation :



There is little water to drink despite the presence of two rivers and a wide network of canals

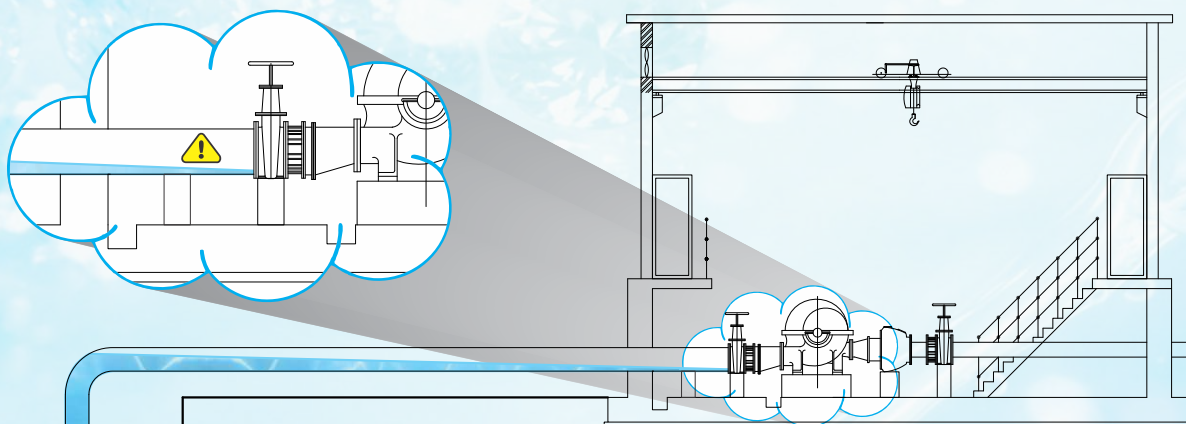
Situation :

A water supply scheme based on Raw Water from Rampur LB Canal was implemented by Raichur CMC - it used conventional Dry Installed HSCF pumps installed in a pump room & sucking water directly from canal.



Problem :

Dry Installed HSCF pumps



It was facing major problems like :

- Operational Hassles like Priming,
 - Loss of Suction due to Head variation or InExperienced Operators Closing / Opening Valves in abrupt fashion,
 - Maintenance of Shaft Coupling & Prime Leakage from Gland Packings
- all these were leading to huge downtime of p/m & erratic water supply.

Solution :



“To eliminate problems associated with earlier p/m; CMC decided to upgrade to Submerged Centrifugal pumpsets (installed directly into Canal - i.e. Flooded Suction).

“The New Sub CF p/m is giving much more consistent water supply”

- J Ramesh, S.O. CMC, Raichur.



Substantial Savings

Reduction in Pump House Space, Construction Cost & Suction piping manifold cost & complexity.



Weather Proof

- No pump room requirement.
- No risk of cavitations.
- No damage due to Flood or Rains.





User Friendly

- Compact, Fully Portable & Flexible - can be installed directly in Water Body
- Requires No Priming.



Low Life Cycle Costs (LCC)

Minimal maintenance & good efficiency.



Low Energy Cost

Wire to Water efficiency is at par with Centrifugal & substantially higher than Water filled Submersible, Polder pumps.




Maintenance Free

- No Oiling,
- No Greasing,
- No Gland Tightening,
- No Shaft Alignment,
- No Dewatering of Gland/ Leakage or Seepage.

Government of Karnataka

SUVARANA KARNATAKA


CITY MUNICIPAL COUNCIL, RAICHUR.

Website:-www.raichurcity.gov.in
 E-mail:itstaff_ulb_raichura@yahoo.com
 Phone No: 08532-226768
 Fax No: 08532-226316

Date: 22-02-2018.

TO WHOMSOEVER IT MAY CONCERN

This is Certify that M/s, Aqua Machinerics Pvt. Ltd., Ahmedabad have supplied pump sets for our Rampur TLBC Canal Project against our W.O. No. CMR/ENG/WKS/SFC/14/2015-16 Dated: 21-01-2016.


The Pump set particular are as follows:

Pump set Type	: Submerged Centrifugal Pump Set
Application	: RAW WATER Handling
Pump Model	: ARS 4052 ML 215
Head	: 20 m
Discharge	: 2196 m ³ /hr
Motor Rating	: 215 hp / 160 kW
Qty	: 2 Nos
Installation	: Horizontally Bottom rested on integral horizontal portable stand in Rampur TLBC Canal

These Pumpsets were commissioned in NOV 2016 and are working satisfactorily till date.

In our experience, these Aqua make Submerged Centrifugal Raw Water pump Sets are very Easy to operate, require almost **NO maintenance** & can be Installed without dedicated Civil Structures.

We appreciated the competent, quick and courteous technical support recommended the use of their robust, flexible and reliable submerged Centrifugal Pump.


 Assistant Executive Engineer,
 City Municipal Council, Raichur.

Aqua Machinerics Private Limited

www.aquapumps.com

Registered Office & Manufacturing Plant

Survey No. 504/1-2, 442/2, Near Haridarshan Estate, Near Express Highway, Ramol, Ahmedabad-382 445. Gujarat, India.

marketing@aquapumps.com